

6mm Ultra-Thin Magnetic Track Light

Upgraded Appearance

PRODUCT DETAILS



Grille Light



Flood Light



Folding Light



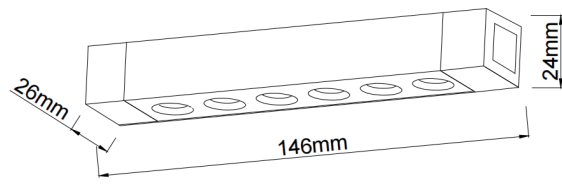
Track Light



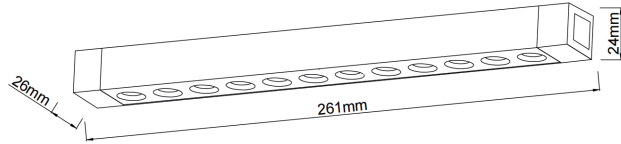
Dropline Light

5W 12W 16W 22W Magnetic Grill Track Light

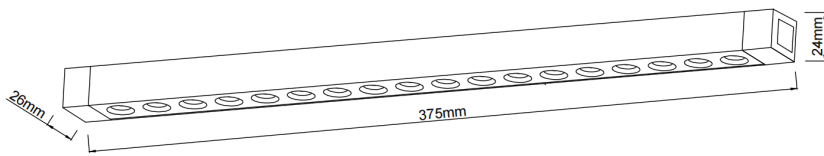
Structure & size



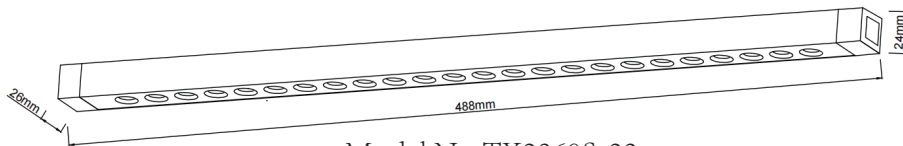
Model No. TX2330S-5



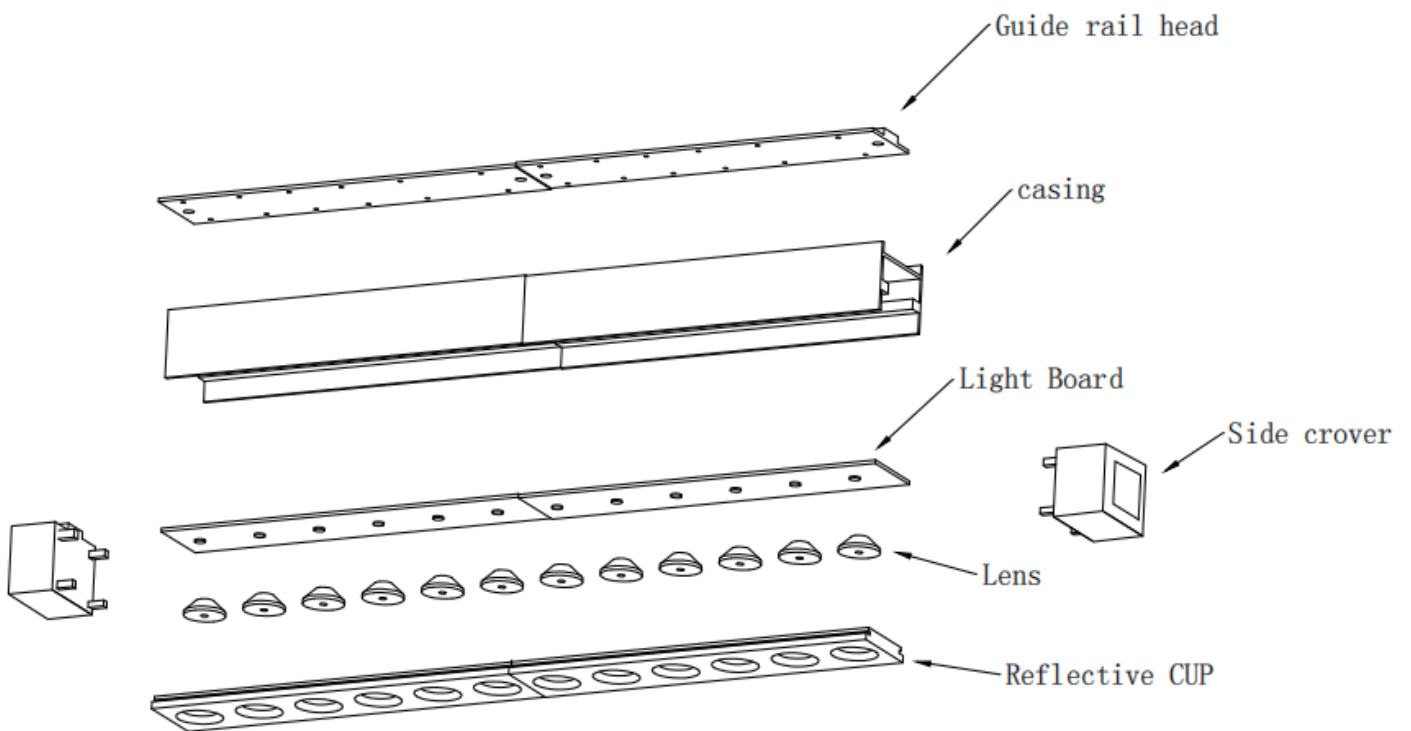
Model No. TX2340S-12



Model No. TX2350S-16



Model No. TX2360S-22



Performance & parameter of product

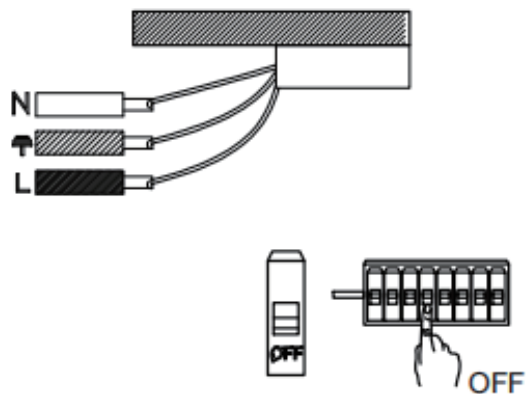
	Model No.	TX2330S-5			TX2340S-12			TX2350S-16			TX2360S-22		
	lamp	warm white	natural white	cool white	warm white	natural white	cool white	warm white	natural white	cool white	warm white	natural white	cool white
performance parameter	lumen (lm)	500lm	530lm	550lm	1100	1150	1170	1400	1440	1450	1890	1920	1950
	color temperature (K)	3000K	4200K	6500K	3000K	4200K	6500K	3000K	4200K	6500K	3000K	4200K	6500K
	CRI	>80			>80			>80			>80		
	type of LED	SMD			SMD			SMD			SMD		
	beam angle	39			35			35			35		
	decay rate (%)	1000 hours no more than 3%			1000 hours no more than 3%			1000 hours no more than 3%			1000 hours no more than 3%		
	total power (W)	5W			12W			16W			22W		
	lifespan (Hrs)	≥30000Hrs			≥30000Hrs			≥30000Hrs			≥30000Hrs		
	high voltage testing	500Vac/1min			500Vac/1 min			500Vac/1min			500Vac/1min		
	LED parameter	lighting efficiency	101 lm/W			92lm/W			90lm/W			86lm/W	
chip quantity		6			12			16			24		
series-parallel way		1B6C			2B6C			2B8C			2B12C		
voltage		48V			48V			48V			48V		
current		300mA			300mA			300mA			300mA		
driver parameter	input parameter	48V DC			48V DC			48V DC			48V DC		
	power factor	>0.5			>0.5			>0.5			>0.5		
	output parameter	50V			50V			50V			50V		
structure parameter	material	AL+PC			AL+PC			AL+PC			AL+PC		
	dimension	146X26X24mm			261X26X24mm			375X26X24mm			488X26X24mm		
	cut-out	/			/			/			/		
	protection class	calss III			calss III			calss III			calss III		
	IP	IP20			IP20			IP20			IP20		

Installation instructions

Installation instructions:

1. Switch off the power.
2. Install the luminaire into the guide rail groove .
3. Check that everything is in order .
4. Switch on the power if above steps done properly without any mistakes.

1



2



3



4

