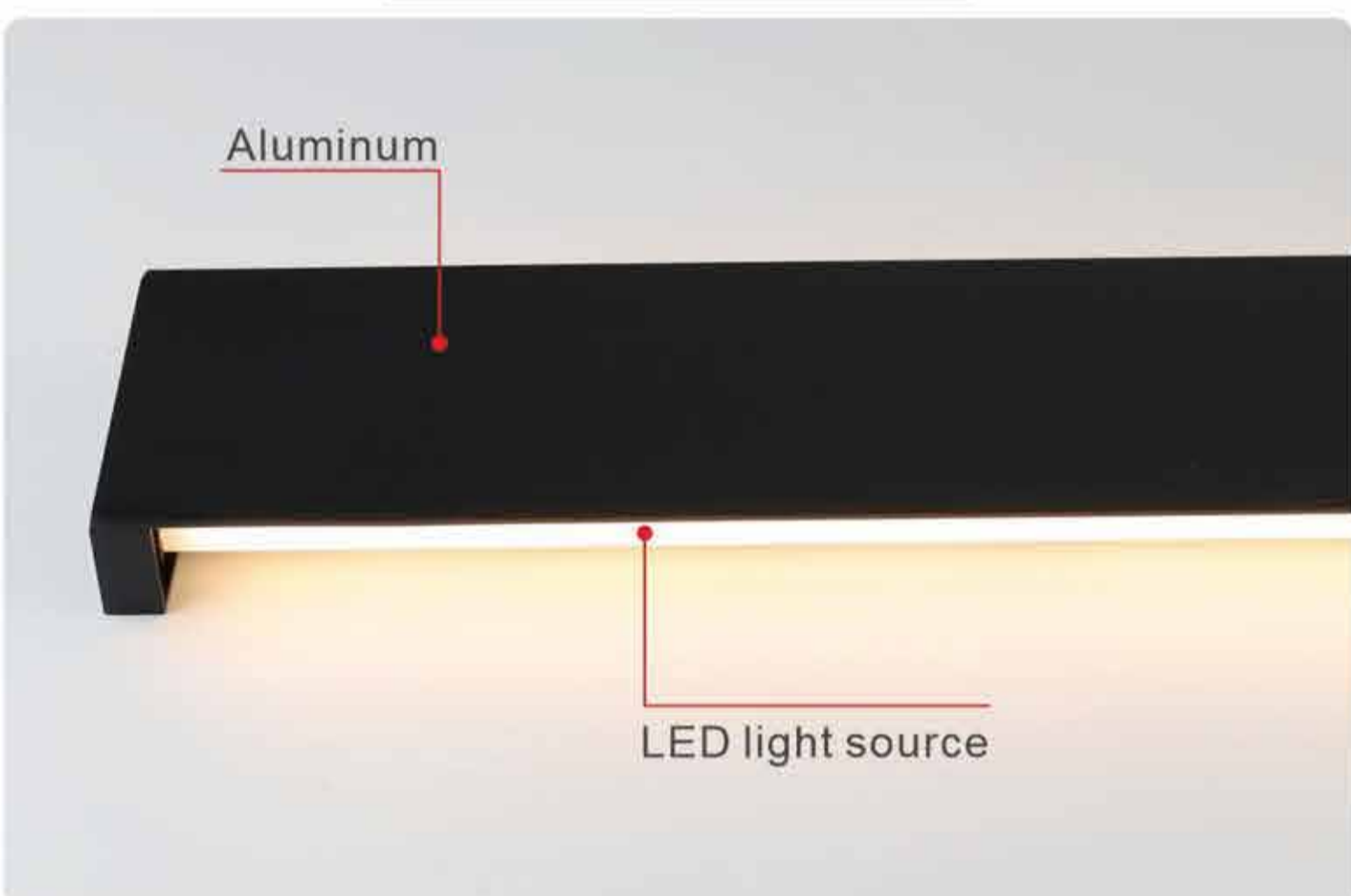


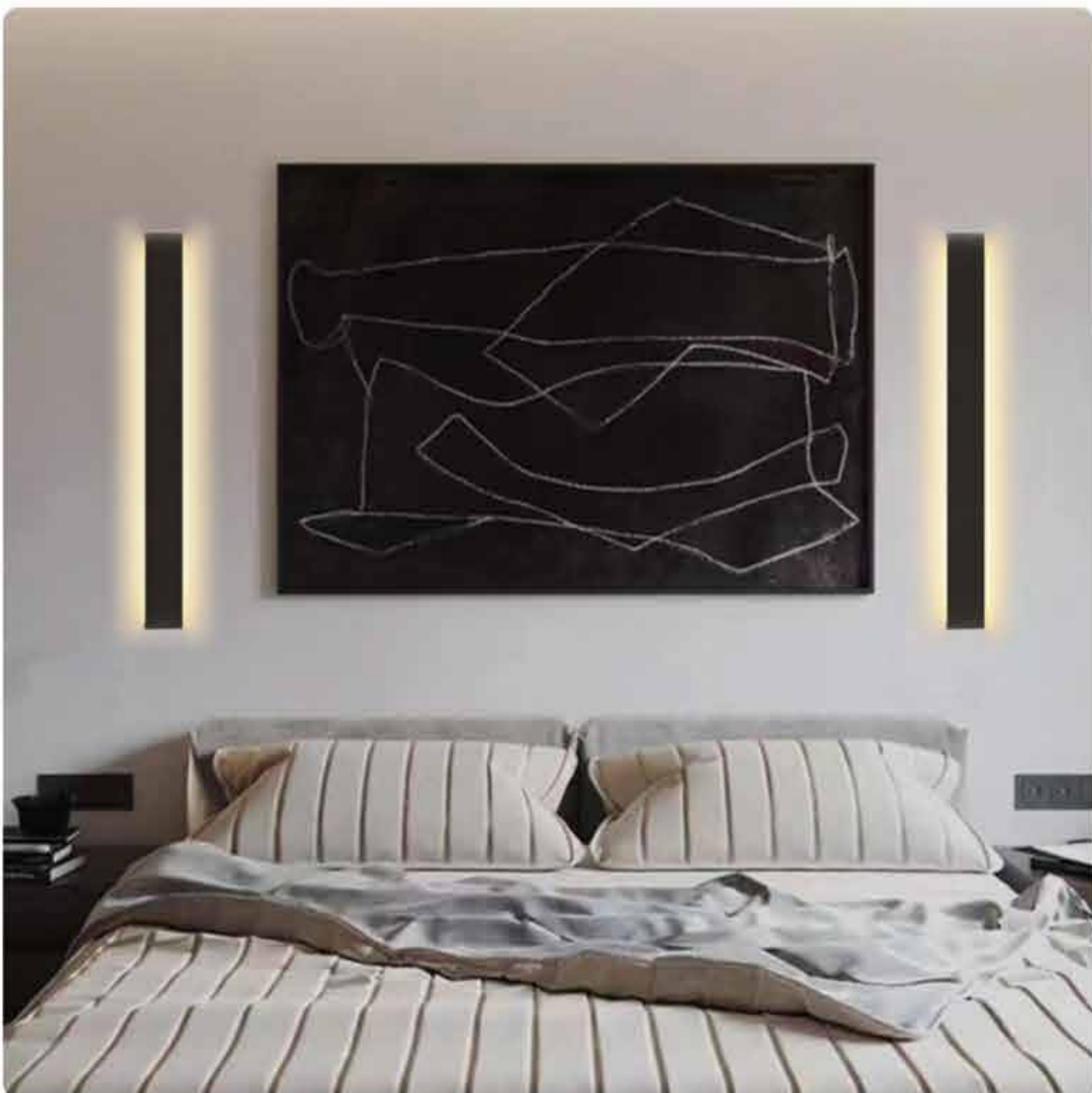
# LED WALL LIGHT



## PRODUCT DETAILS



## APPLICATION



- Application:  
hotel, home-lighting, recreation place, supermarket, office building



Search **oteshen lighting** to follow us:

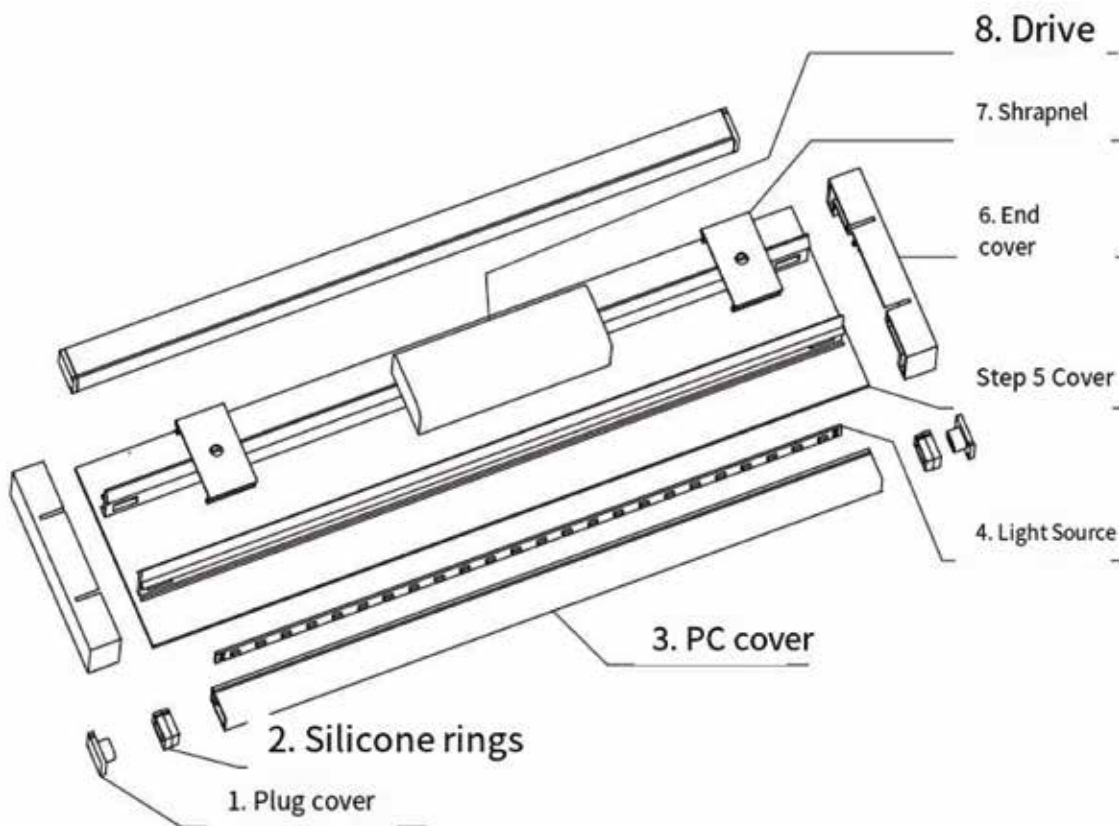
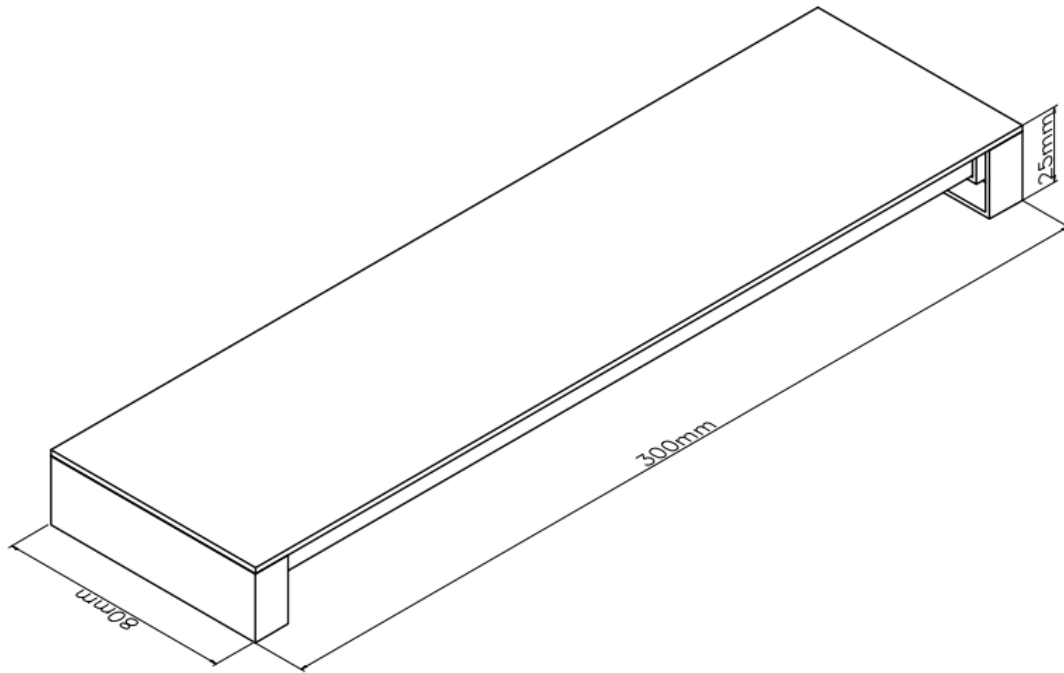


Scan the catalogue for more products:



<http://www.oteshen.com>

Structure & size



# Performance & parameter of product

performance parameter	Model No.	LBD5530-10			LBD5560-20			LBD5590-30		
	lamp	warm white	natural white	cool white	warm white	natural white	cool white	warm white	natural white	cool white
	lumen (lm)	770 lm	790 lm	800 lm	1550 lm	1580 lm	1600 lm	2320 lm	2350 lm	2370 lm
	color temperature (K)	3000K	4200K	6500K	3000K	4200K	6500K	3000K	4200K	6500K
	CRI	≥80			≥80			≥80		
	type of LED	SMD LED			SMD LED			SMD LED		
	beam angle	170			165			162		
	decay rate (%)	less than 3% within 1000 working hours			less than 3% within 1000 working hours			less than 3% within 1000 working hours		
	total power (W)	9.5-10W			19-20W			29-30W		
	lifespan (Hrs)	≥30000Hrs			≥30000Hrs			≥30000Hrs		
LED parameter	high voltage testing	500Vac/1min			500Vac/1min			500Vac/1min		
	lighting efficiency	81Lm/W			78Lm/W			76Lm/W		
	chip quantity	48PCS			96PCS			144PCS		
	series-parallel way	1C24B*2			2C24B*2			3C24B*2		
	voltage	80V			80V			80V		
driver parameter	current	3V, 0.5W, 60LM			3V, 0.5W, 60LM			3V, 0.5W, 60LM		
	input parameter	110-260V, 50/60Hz			110-260V, 50/60Hz			110-260V, 50/60Hz		
	power factor	0.5			0.5			0.5		
structure parameter	output parameter	130MA±5% 80V			260MA±5% 80V			390MA±5% 80V		
	material	AL+PC			AL+PC			AL+PC		
	dimension	300*80*25mm			600*80*25mm			900*80*25mm		
	cut-out	20			20			20		
	protection class	Class II			Class II			Class II		
IP	IP65			IP65			IP65			

**installatim instruction:**

1. switch off power
2. Cut appropriate size hove on the ceiling, put the rubber plug in hole, fix the bracket on the ceiling with screw solidly (see below pic 1)
3. connect (110-220V) in a correct way (see below pic 2).
4. install the lamp body into bracket and tighten the screw safely and solidly (see below pic. 3).
5. Switch on the power if above step done properly without any mistakes

